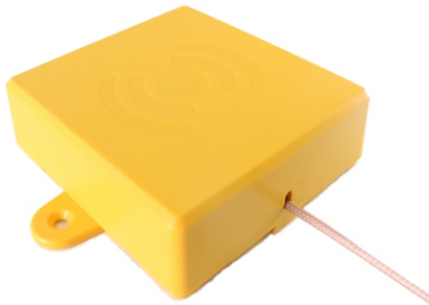


Product Datasheet

UHF RFID天线

RTEC ANT-SW

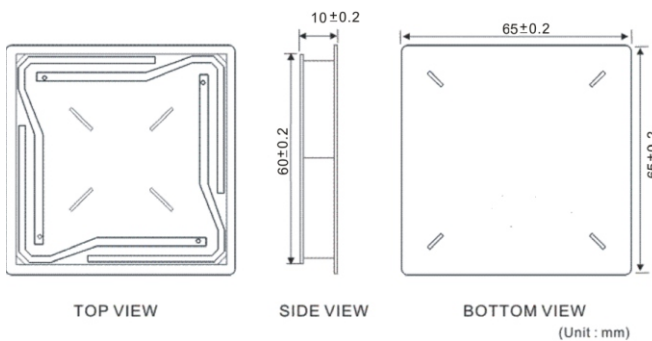


RF Spec

Frequency /Mhz	FCC 902-928 / EU 860-875
Gain /dBi	3.0
S.W.R	<1.3
Bandwidth	100MHz
Impedance /Ω	50
Polarization	Circular
Beamwidth/°	90°
Front-to-rear ratio	<2.0
Connector	SMA-K / I-PEX

Mechanical Spec

Dimensions /mm	107 x 128 x 29 mm
Operating Temperature	-30°C - 70°C
Weight /g	15g
Color	Yellow
Materials	Industry grade plastics
Attachment	Rivet hole, Magnet



without packaging

Order information

Product #	RTEC-A01-01
Product Name	RTEC ANT-SW ETSI
Product #	RTEC-A01-02
Product Name	RTEC ANT-SW Fcc

*Internal antenna can be sold separately,
please consult sales for details