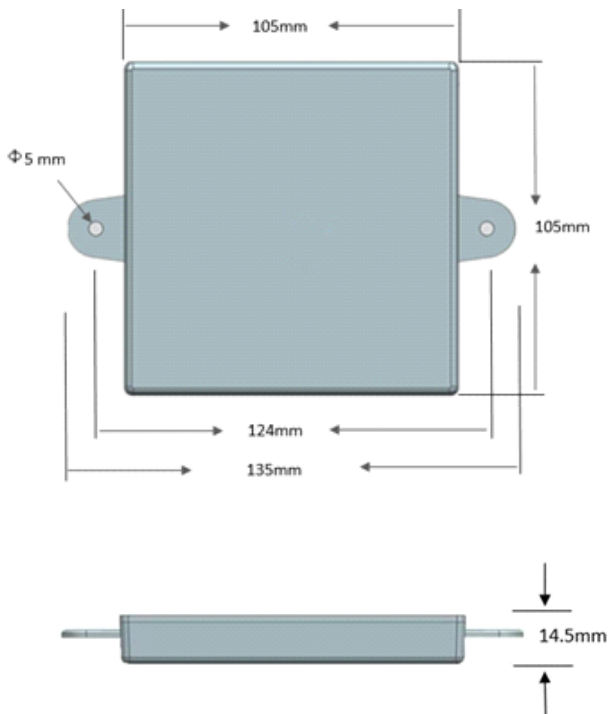
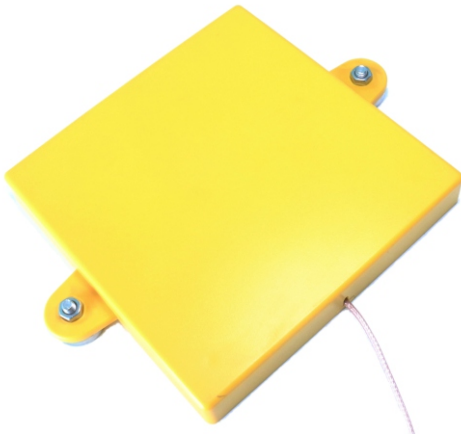


Product Datasheet

UHF RFID Antenna

RTEC ANT-CR



RF Spec

Frequency/Mhz	FCC 902-928 / EU 860-875
Gain/dBi	4.0
S.W.R	<1.4
Bandwidth	15MHz
Impedance/ Ω	50
Polarization	Circular
Beamwidth/ $^{\circ}$	60 $^{\circ}$
Axial Ratio	<2.5
Connector	SMA-K

Mechanical Spec

Dimensions /mm	105 x 105 x 14.5 mm
Operating Temperature	-30 $^{\circ}$ C - 70 $^{\circ}$ C
Weight /g	210g
Color	Yellow
Materials	Industry grade plastics
Attachment	Rivet hole / Magnet

Order Information

Product #	RTEC-A02-01
Product Name	RTEC ANT-CR ETSI
Product #	RTEC-A02-02
Product Name	RTEC ANT-CR Fcc